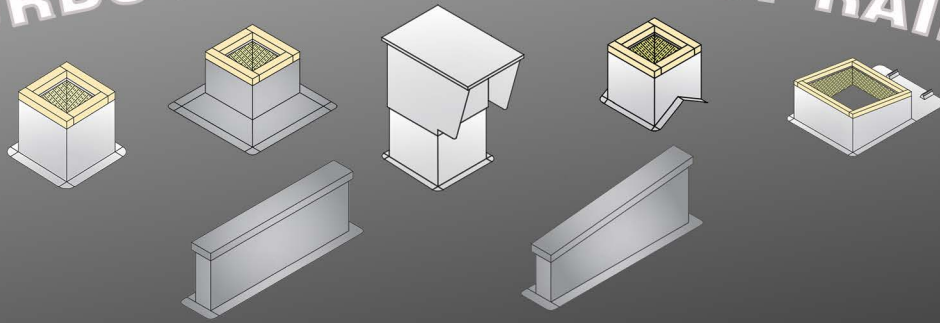
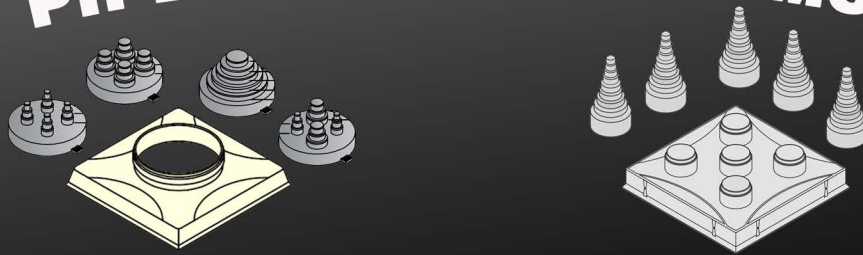




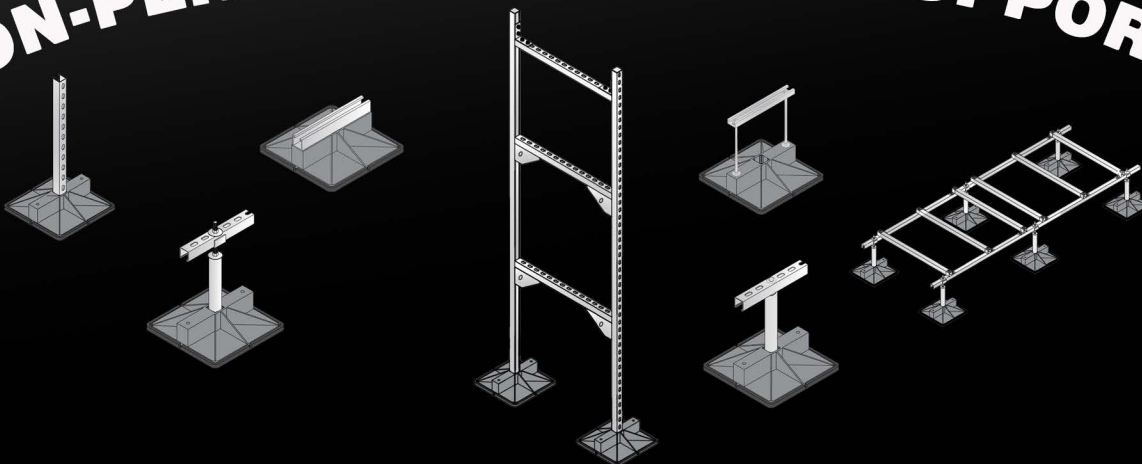
CURBS AND EQUIPMENT RAILS



PIPE PORTAL SYSTEMS



NON-PENETRATING ROOF SUPPORTS





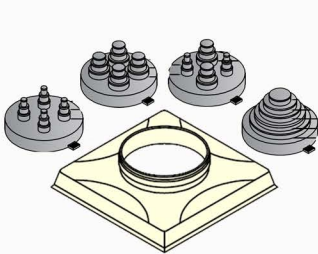
ROOF PRODUCTS

INDEX

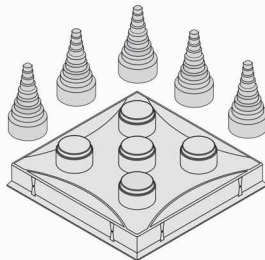
CURBS	PAGE 1
EQUIPMENT RAILS	PAGE 2
PIPE SHACK	PAGE 3
PIPE PORTALS	PAGE 4
ROOF TOP ADAPTERS	PAGE 5
A/C & MINI SPLIT STANDS	PAGE 6
VRF STANDS	PAGE 7
DUCTWORK STANDS	PAGE 8
MIGHTY MOUNT NYLON BASE	PAGE 9

Pipe Portal and Curb Assemblies

The Multiple Cover Curb Allows For More Pipe Penetrations With Only One Roof Opening. Saving Time And Money.

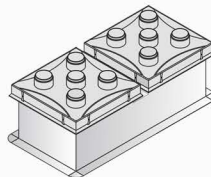


**CURB COVER
CC-12**

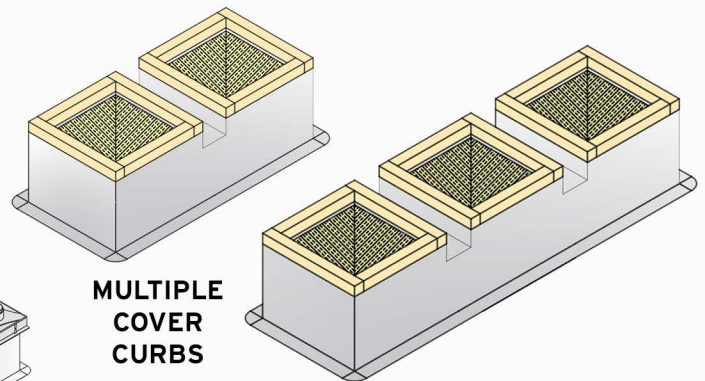


**5-PORT
CURB COVER**

*See Page 4 For More Information on
Curb Covers and Pipe Portals*

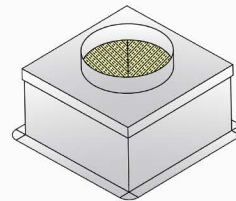
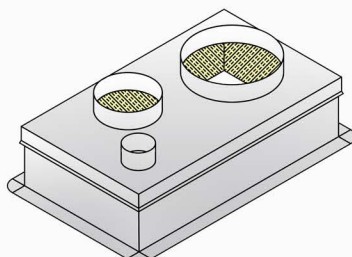


**MULTIPLE
COVER
CURBS**



Custom Made Pipe Portal Covers

Curb Covers can be Made to Fit Existing Curbs or Curbs Provided by Us. Collar
Diameters can be made to Your Specifications or to Fit our Pipe Portal
Dimensions.





ROOF PRODUCTS

CURBS

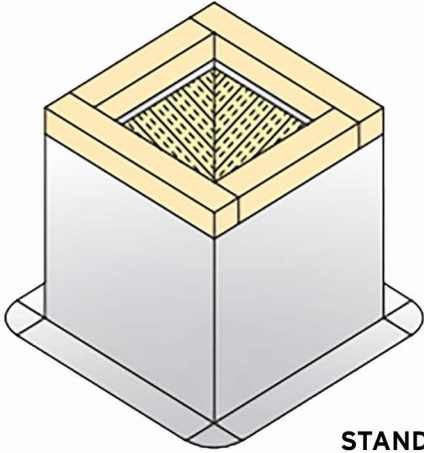
FEATURES AVAILABLE ON ALL CURBS

Standard Features

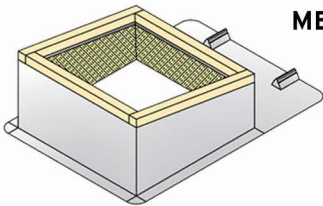
- 18 Gauge G90 Galvanized
- 1-1/2", 3 lb. Density Insulation (R6)
- Fully Welded Construction
- 2 x 2 Untreated Wood Nailer
- 2" Flange Out

Optional Features

- Lint Tray
- Damper Tray
- Aluminum Construction
- No Wood Nailer
- Treated Wood Nailer

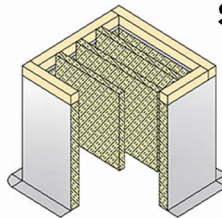


STANDARD CURB



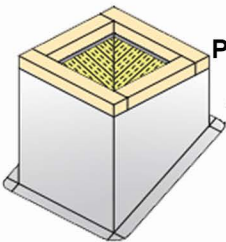
METAL ROOF CURB

- Built in Cricket
- Fixed or Loose Cell Caps
- Under/Under
- Over/Over
- Over/Under



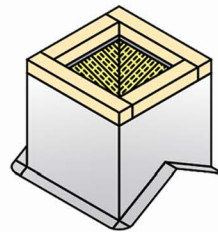
Sound Reduction Curb

- 1" Thick, 3 lb. Rigid Insulated Baffles
- Baffles 4" o.c., 22 Gauge Galv. Steel
- 1" Mounting Flange



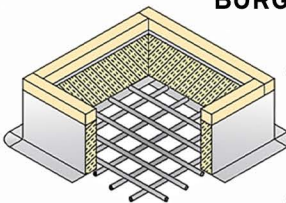
PITCHED CURB

- Available in Any Pitch



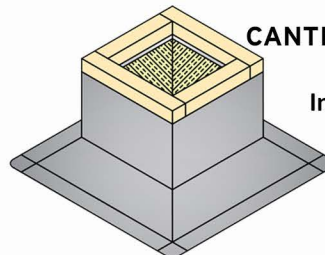
RIDGE CURB

- Available in Any Pitch



BURGLAR BAR

- Available In All Curbs
- Bar Sizes:
3/8", 1/2", 5/8", 3/4", & 1"
- Available in One or Two Directional
- Bar Spacing 6" on Center



CANTED CURB

Integrated 3", 45 degree Cant



ROOF PRODUCTS

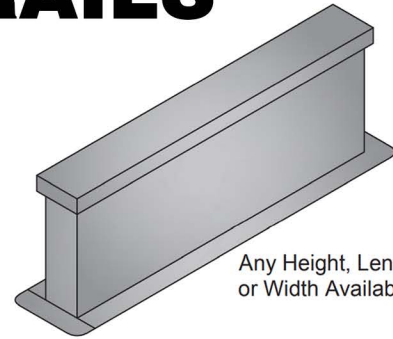
EQUIPMENT RAILS

STANDARD FEATURES

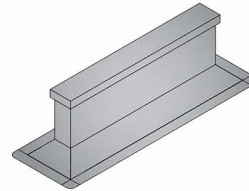
- 18 GAUGE G90 GALVANIZED BODY
- FULLY WELDED CONSTRUCTION
- UNTREATED WOOD NAILER
- 24 GAUGE G90 GALVANIZED CAP
- INTERNAL BRACING 24" ON CENTER

OPTIONAL FEATURES

- 14 - 16 GAUGE G90 GALVANIZED BODY
- .063 OR .080 ALUMINUM BODY
- 18 GAUGE 304 STAINLESS STEEL BODY
- 18 GAUGE 304 STAINLESS STEEL CAP
- WELDED 18 GAUGE G90 GALVANIZED CAP



Any Height, Length
or Width Available



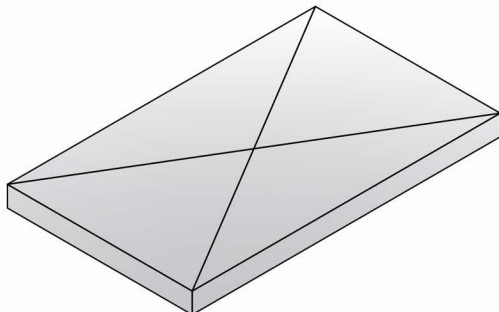
CANTED EQUIPMENT RAIL



PITCHED EQUIPMENT RAIL

Temporary Curb Cap

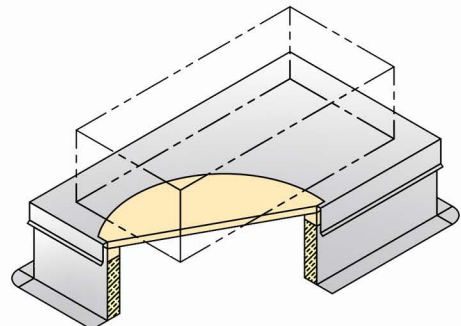
- TOPS ARE CROSS BROKE
- 2" HIGH STANDARD
- WELDED CORNERS
- 18 GAUGE G-90 GALVANIZED



Solid Platform Curb

STANDARD CONSTRUCTION

- 18 GAUGE G90 GALVANIZED STEEL BODY
- 20 GAUGE G90 GALVANIZED STEEL TOP 3/4" TREATED PLYWOOD TOP
- 1-1/2", 3 LB. DENSITY FIBERGLASS INSULATION CURB BODY
- UNTREATED WOOD NAILER





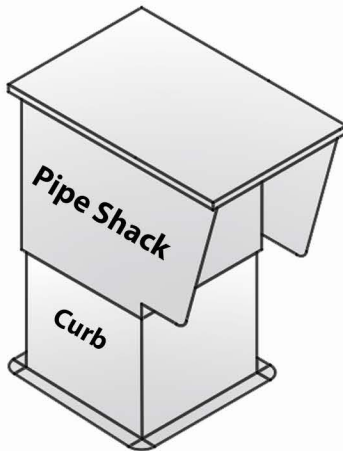
ROOF PRODUCTS

PIPE SHACK

Pipe Shack Can Be Custom Made To Your Specifications

Pipe Shack with Solid Front Cover

- The solid Front Panel Allows the Installer to Cut-in the Hole Size for the Pipe Penetration

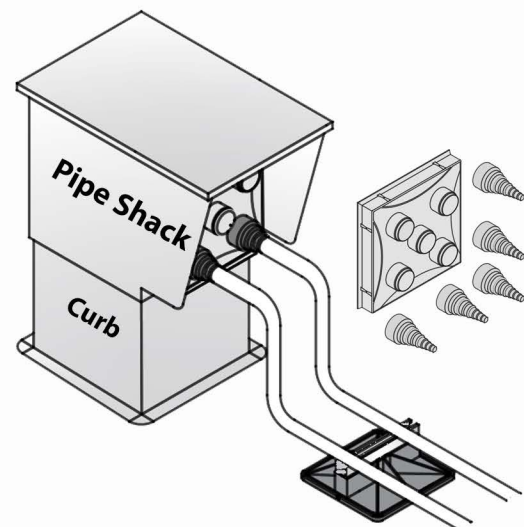


Pipe Shack Standard Features

- Formed Corners at Sides and Back
- Front Panel is Spot Welded to Sides
- 1/4" Gasket Seals Side and Front Panel
- Top and Sides are 20 Gauge G90 Galvanized Metal
- 1" Fiberglass Insulation Installed Sides and Back
- Pipe Shack Sets on Curb with 3/4" Overhang

Pipe Shack with 5-Port Cover

- The 5-Port Cover Allows for Five Pipes Ranging From 5/8" to 2-7/8" in Diameter to Penetrate the Cover Through the PVC Boots for a Weather Tight Seal.



Includes Standard Features And the Following

- 5 - Port Curb Cover
- Five N-5 PVC Boots with Hardware
- Front Panel is Open to Attach 5-Port Cover

Available Metals

- G90 Galvanized
- Aluminum
- 304 Stainless Steel

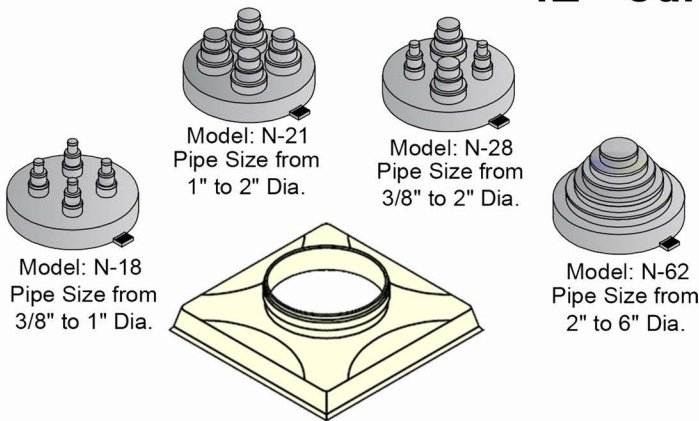


ROOF PRODUCTS

PIPE PORTAL COVERS & CAPS

Weather Tight Seal for Running Pipes Run Through the Roof

12" Curb Cover



Curb Cover Fits on a 12" Curb

ABS Plastic Cover is Ultraviolet (UV) Resistant. Pre Drilled for Easy

Stainless Steel Clamps are Included to Make a Weather Tight Seal Between the EPDM Rubber Boot and the Pipe

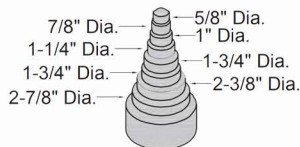
The Annual Grooves Molded into the Rubber Boot Snap Over the Groves of the Curb Cover to form a Weather Tight Seal.

Curb Cover and Boots are Sold Separately

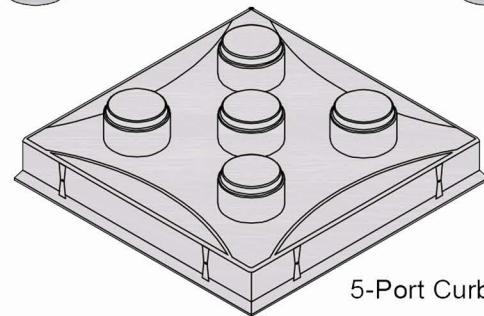
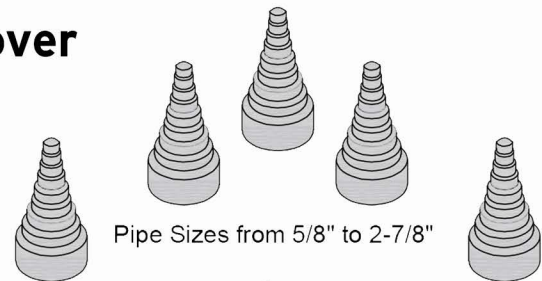
5-Port Curb Cover

ABS Plastic Cover is Ultraviolet (UV) Resistant. Pre Drilled for Easy

Stainless Steel Clamps are Included to Make a Weather Tight Seal Between the PVC Boot and the Pipe



5-Port Curb Cover and 5 Boots are Sold Together



5-Port Curb Cover

5-Port Curb Cover Fits on a 15" Curb



ROOF PRODUCTS

ROOF TOP ADAPTERS



Hranec Curb Adapter



Custom Platform Curb

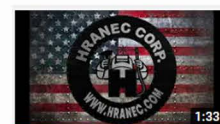
- Industry leading lead time and price
- Curbs available as fully welded or knockdown
- Insulation as specified or required
- Custom options available to meet your project needs
- Seismic, wind, and vibration options available
- Drawings provided to ensure proper field installation



RTU Curb Adapter

Adapter Pricing and Ordering is simple and easy.

On our website we have two videos, "Hranec Corp RTU Adapter Quoting System" video explaining how to get a quick quote if you have all the ordering information. The "Roof Top Adapter" video explains where to find the model number of the unit being replaced, how to use that information to get a quick quote, and how the units are installed.



Hranec Corp RTU Adapter Quoting System - Fast and...
2.7K views · 11 months ago



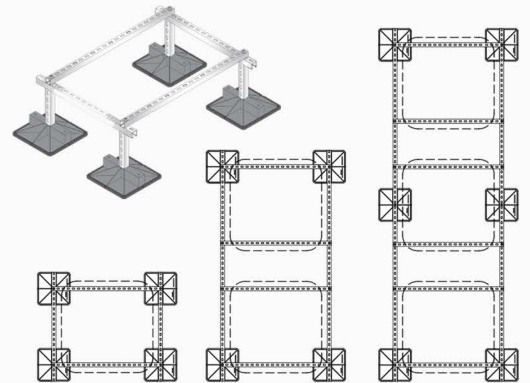
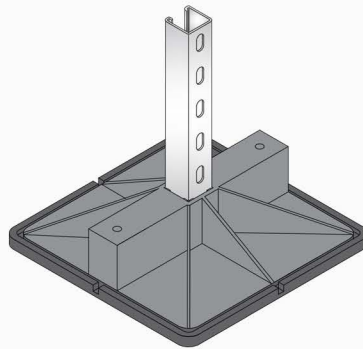
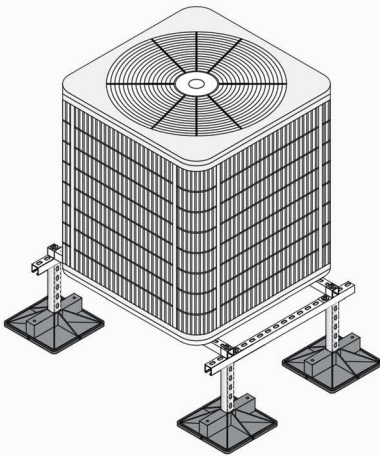
Roof Top Adapter
2.7K views · 1 year ago



ROOF PRODUCTS

MIGHTY MOUNT NB-500 Nylon Base Roof Top Support is designed to support the installation of roof top units. Including, stands for ductwork, VRF condenser, Air Conditioning Unit and Mini-Split Units. Along with supports for gas pipe, conduit, refrigeration lines and other piping needs. The Nylon Base offers one of the strongest non-penetrating roof top supports along with the half inch rubber sub-base that protects the roof membrane on the market today. The rubber sub-base also reduce the vibration caused by running equipment.

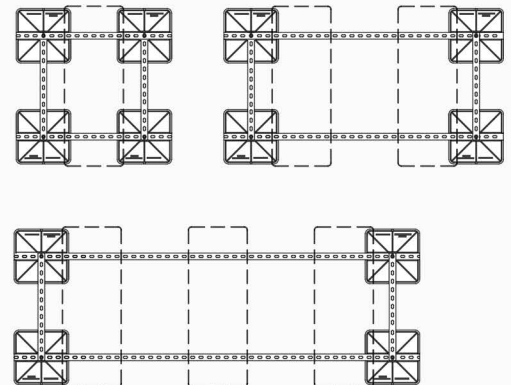
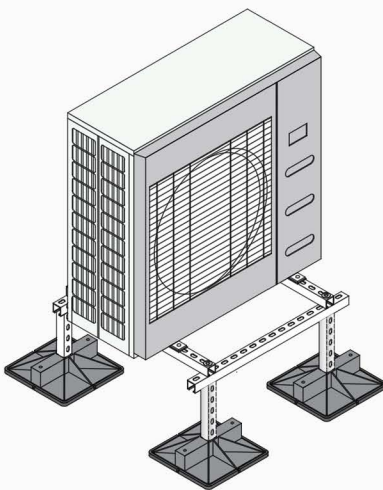
A/C STANDS



A/C SUPPORT STANDS, SINGLE, DOUBLE AND TRIPLES

MIGHTY MOUNT NB-500 NYLON BASE WITH RUBBER SUB-BASE & 1-5/8" STRUT

MINI-SPLITS



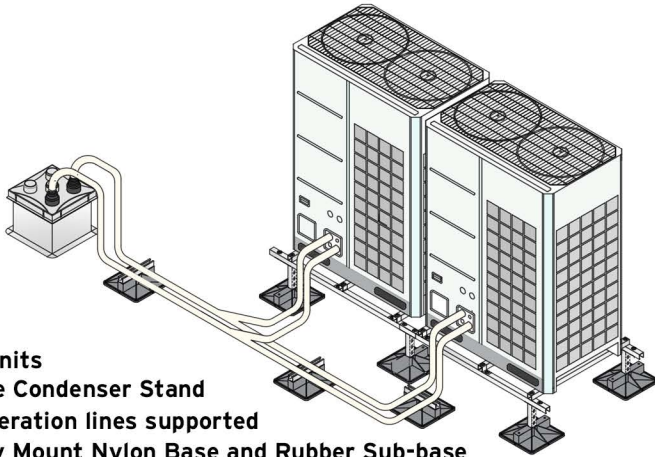
MIGHTY MOUNT NB-500 STANDS PROVIDE A STABLE PLATFORM FOR MOUNTING A WIDE VARIETY OF HVAC EQUIPMENT. UNIVERSAL DESIGN ACCOMMODATES ALL BRAND OUTDOOR VRF CONDENSING UNITS, AIR CONDITIONER UNITS AND MINI-SPLIT UNITS



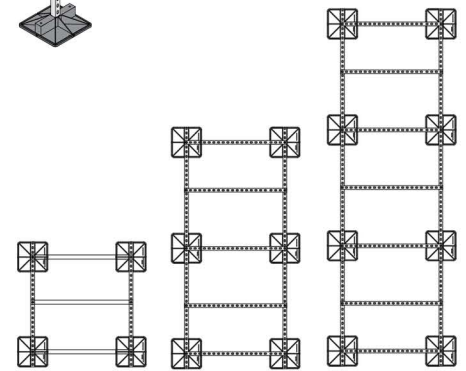
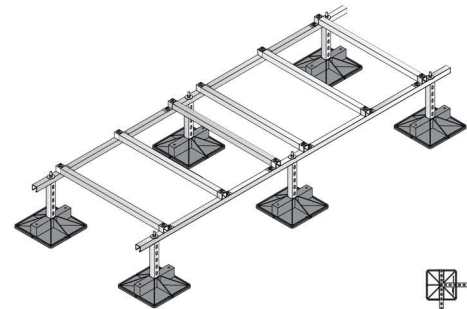
ROOF PRODUCTS

VRF STANDS

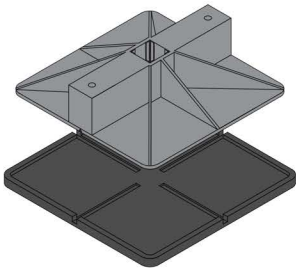
One Stop Shop for all Your VRF Condenser Stands & Accessories



Twin VRF Units
 On a Double Condenser Stand
 With Refrigeration lines supported
 On a Mighty Mount Nylon Base and Rubber Sub-base
 The Lines Penetrate the Roof through an N-5 Rubber
 Boot, 5-Port Curb Cap and 15" Curb



Top View of Single, Double and Triple VRF Condenser Stands

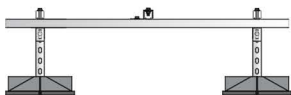


**NB-500
 Nylon Base**

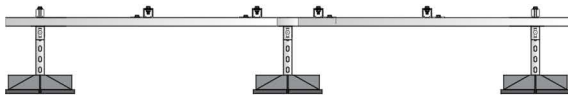
**Rubber
 Sub-base**

NB-500 Nylon Base with
 Rubber Sub-base can
 support 500* lbs. each.

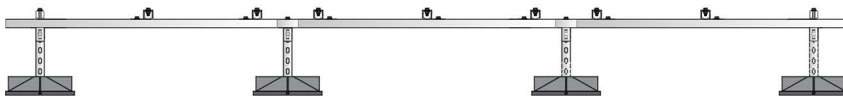
Condenser Stands are Available in Standard Sizes for
 Single, Double and Triple Units, Compatible with All
 VRF Manufactures. Also Custom Stands can be Made
 to Special Sizes to Accommodate Specific
 Conditions



Single Condenser Stand



Double Condenser Stand



Triple Condenser Stand



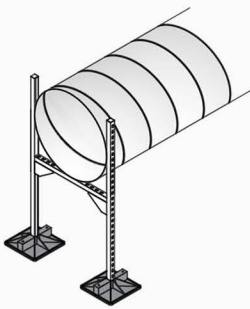
*500 lb. load is based on limiting the load on the roof membrane to 3 psi.



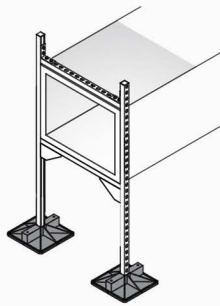
ROOF PRODUCTS

DUCTWORK STANDS

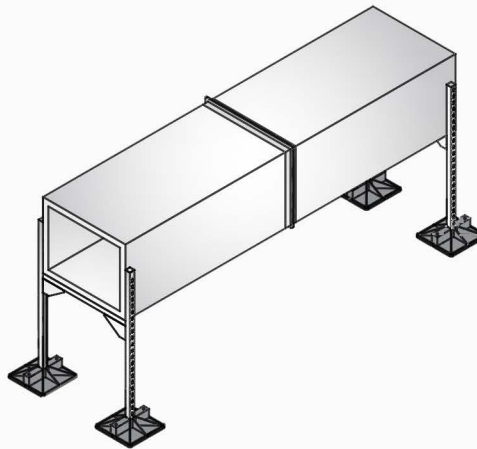
NON-PENETRATING ROOF TOP SOLUTION FOR INSTALLING
DUCTWORK ON FLAT ROOFS



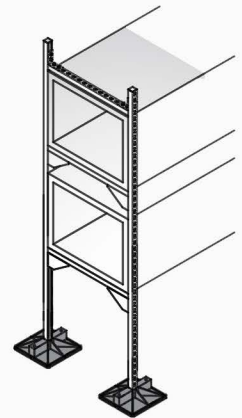
ROUND DUCT SUPPORT
DESIGN MODEL: **RDS**



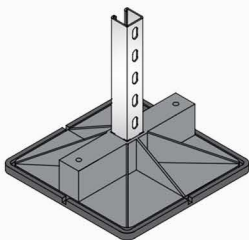
ENCLOSED DUCT SUPPORT
DESIGN MODEL: **EDS**



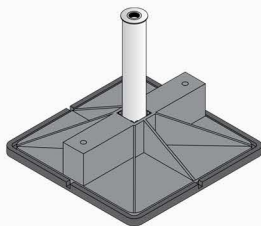
OPENED DUCT SUPPORT
DESIGN MODEL: **ODS**



MULTI-TIER DUCT SUPPORT
DESIGN MODEL: **MTDS**



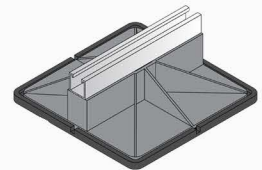
1-5/8 Unistrut
Support for
Ductwork and
Condenser
Support Stands



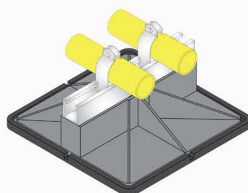
1-1/4" Pipe
Support for
Condenser
Support Stands



13/16" Unistrut
with Adjustable
3/8" All-thread
Rod

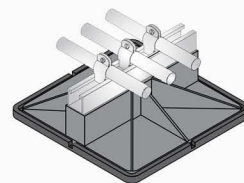


1-5/8" Unistrut
Bolted to Base



Gas Pipe Support

NB-500 Nylon Base with Rubber Sub-base can support 500* lbs. each.



Conduit Support

*500 lb. load is based on limiting the load on the roof membrane to 3 psi.



ROOF PRODUCTS

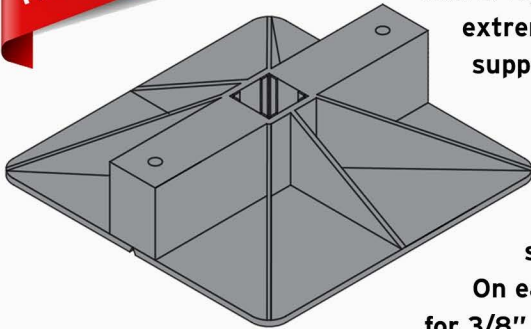
MIGHTY MOUNT NYLON BASE

Non-Penetrating Roof Top Supports



NB-500 Nylon Base

NB-500 Nylon Base is molded from nylon type 6/6 with 30% glass fibers. Nylon 6/6 combined with glass fibers makes it an extremely strong base for non-penetrating roof top supports.



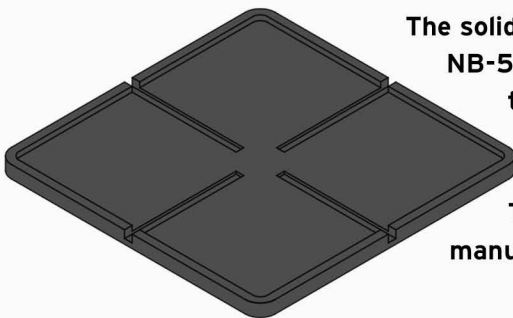
The NB-500 is highly adaptable to a variety of support configurations. The center cube can accept 1-5/8" Unistrut or 1-1/4" galvanized pipe for supporting condenser stands or ductwork.

On each end of the top are two 3/8" holes with knock-outs for 3/8" all thread rods or 3/8" bolts.

Rubber Sub-Base

SBR Rubber Sub-base

1/2" thick x 13" x 13"



The solid SBR Rubber Sub-base acts as a cushion between the NB-500 Nylon support base and the roof membrane. Protecting the roof membrane from damage. This cushion can reduce the vibration noise caused by the equipment being supported.

The rubber used is the same as the rubber used in the manufacturing of truck tires.

**NB-500 Nylon Base with
Rubber Sub-base can support
500* lbs. each.**

*500 lb. load is based on limiting the load on the roof membrane to 3 psi.

HRANEC

Corporation



OVER 150,000 SQUARE FEET OF MANUFACTURING AND FABRICATION SPACE



724-437-2211
www.hranec.com